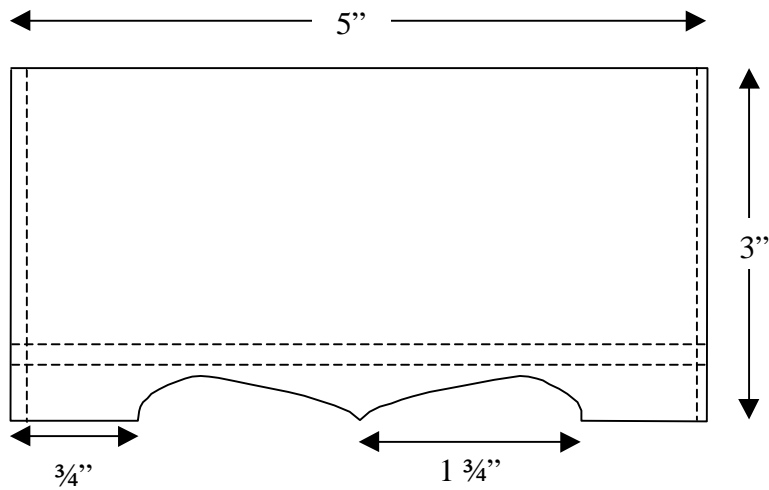
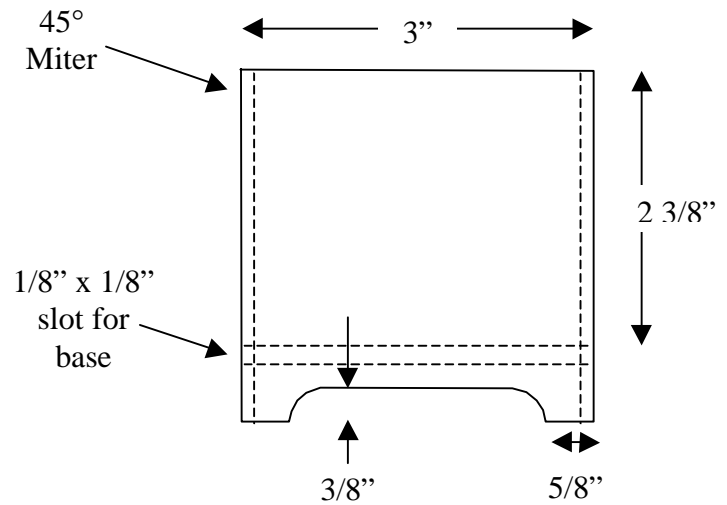


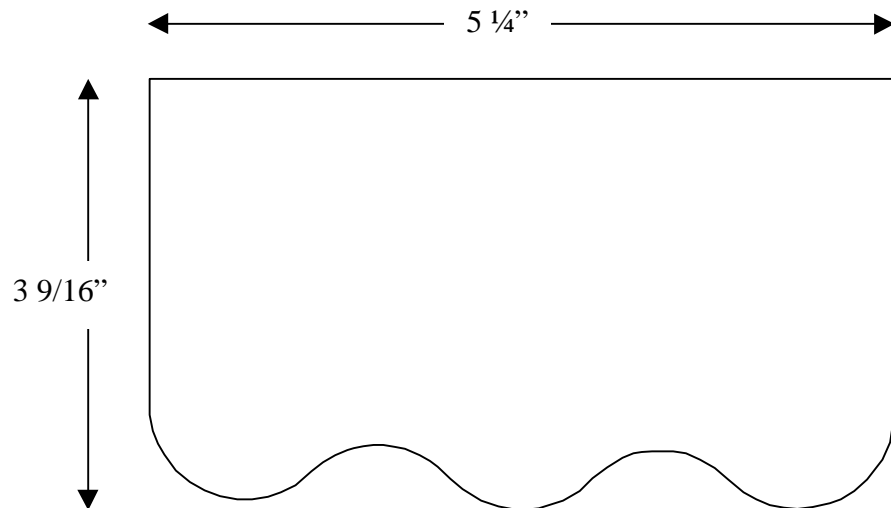
CHERRY JEWELRY BOX



Front & Back



Sides



Top

<p><u>Material</u></p> <p>Cherry Wood 1/4" Thick 2 ea Small Hinges Red Felt for lining</p> <p><u>Directions</u></p> <ol style="list-style-type: none"> 1. Cut all pieces using 45° Miters for corners 2. Bottom is 4 5/8" long by 2 5/8" wide by 1/8" thick 3. Dry fit all pieces then glue it all together 4. Glue felt inside box 5. Recess hinges into top and back, screw in place

CHERRY JEWELRY BOX

